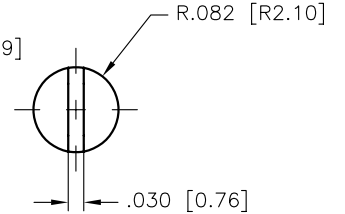
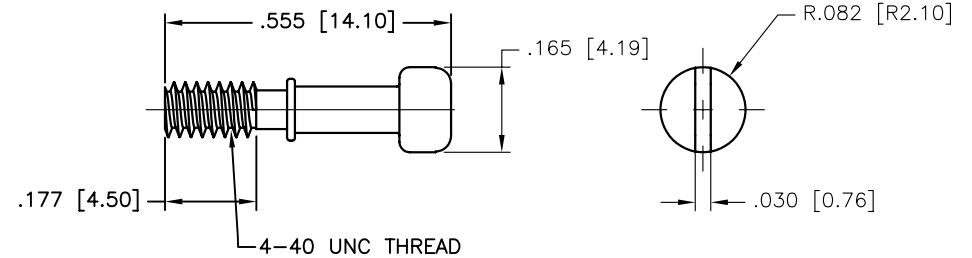
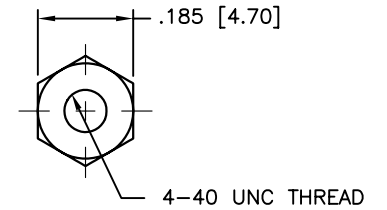
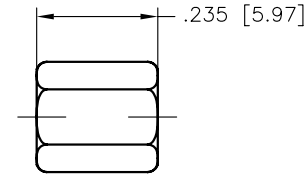
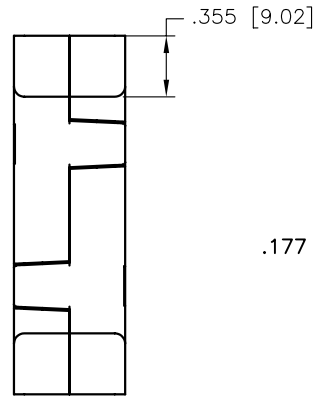
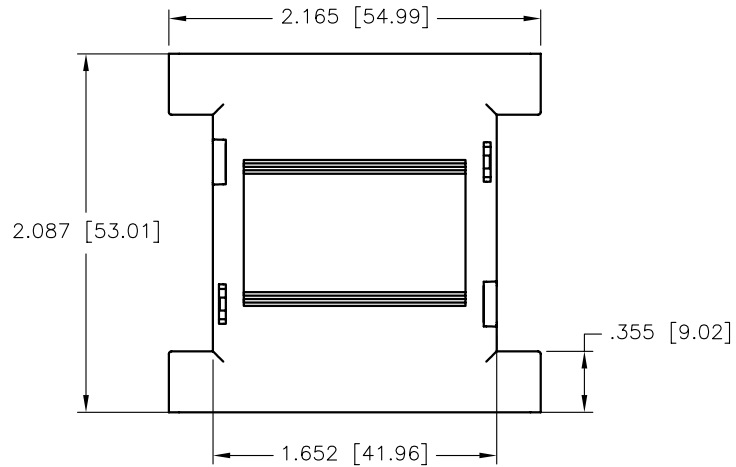
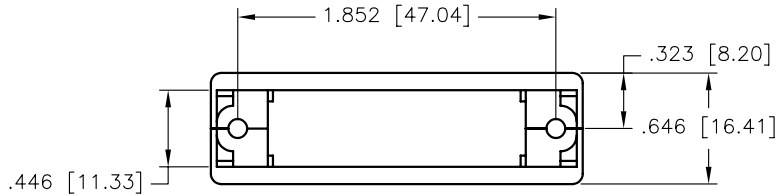
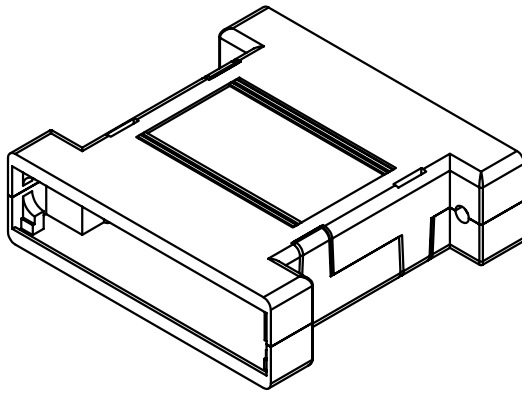


REV	DATE	DESCRIPTION	APP



NOTES:

- MATERIAL: A.B.S. (UL94HB)
- COLOR: SEE NOTE 5
- DIMENSIONS: INCHES [MM]
- KIT INCLUDES:
 - 1 - 2 PC. COVER
 - 4 - #4-40 CAPTIVE SCREW
 - 4 - #4-40 HEX EXTENDER
- PART NO. 201E25F25F001 - BLACK
PART NO. 201E25F25F003 - GRAY
- COMPLIANCE NOTE:
PART MUST BE IN COMPLIANCE TO:
DIRECTIVE 2002/95/EC of 27 January 2003 [RoHS]



THIS IS A CONTROLLED DOCUMENT AND IS SUBJECT TO CHANGE. CONTACT NORTHERN TECHNOLOGIES ENGINEERING FOR THE LATEST REVISION.

UNLESS OTHERWISE SPECIFIED	SIGNATURES	DATE	Northern Technologies		
1. ALL DIMENSIONS ARE IN INCHES (MM) 2. DIMENSIONS ARE TYPICAL	DRAWN JSD	03-JAN-06	PART NUMBER 201E25F25F00X DESCRIPTION 25M/F 25M/F GENDER CHANGER COVER [RoHS]		
	CHECKED SCN	03-JAN-06			
	ENG				
	ISSUED		03-JAN-06	SHEET 1	CODE 7100_207
			SCALE N.T.S.		SHEET 1 OF 1

THIS DRAWING IS THE PROPERTY OF NORTHERN TECHNOLOGIES AND SHOULD NOT BE REPRODUCED WITHOUT NORTHERN TECHNOLOGIES WRITTEN PERMISSION.